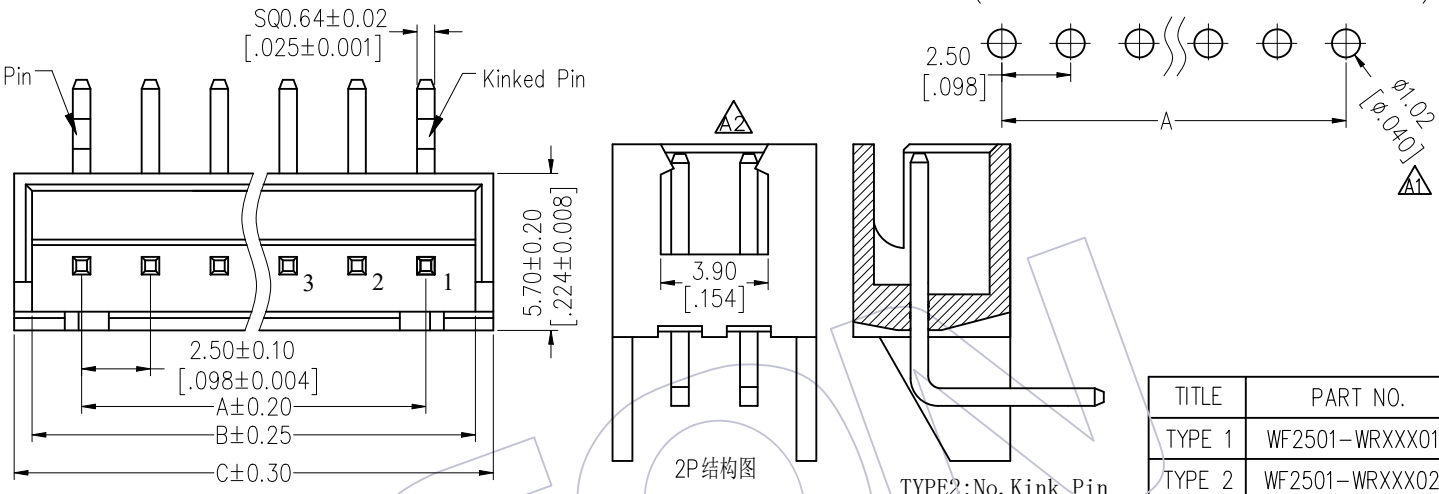


HSF

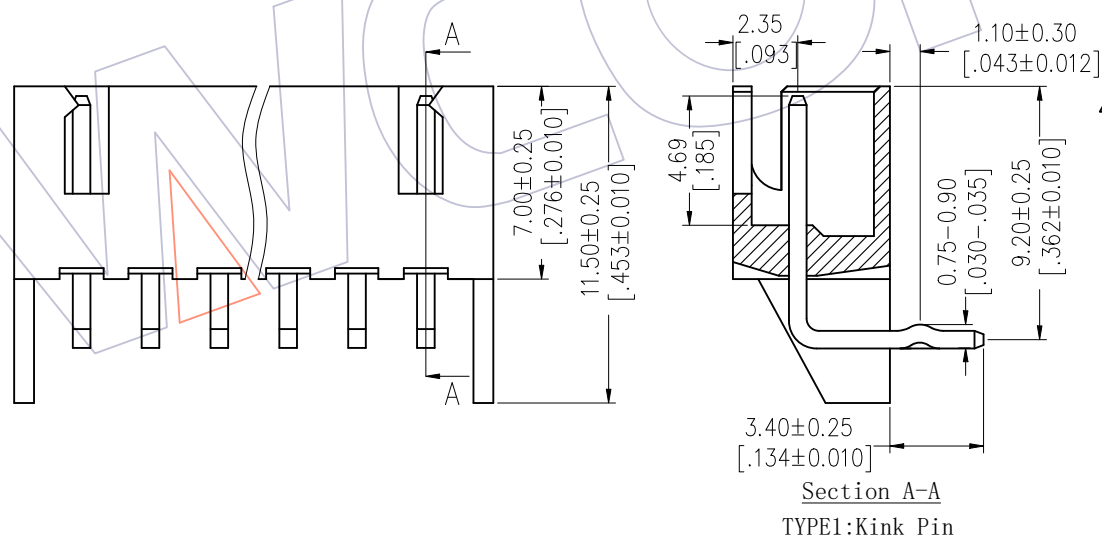
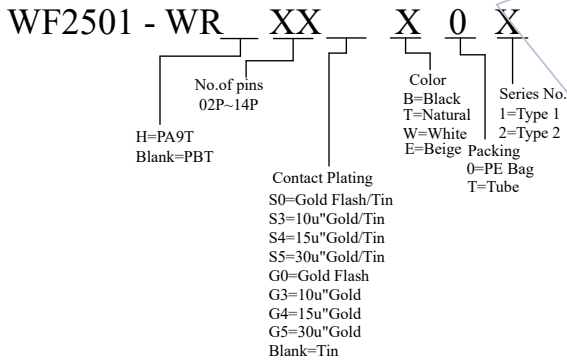
NOTES:
 Rated Current: 3.0AMP
 Rated Voltage: 250V AC/DC
 Contact Resistance: 10mΩ max(Initial)
 20mΩ max(After environmental test)
 Withstand Voltage: 1000V AC/DC
 Insulation Resistance: 1000MΩ min
 Operation Temperature: -40°C to +105°C
 Contact Material: Brass
 Contact plating: Au Or Sn Over Ni
 Insulator Material: PA66 Or PA46 UL94V-0

Recommended P.C.B Layout(Top Side)
 (PCB BOARD TOLERANCE ±0.05)



TITLE	PART NO.
TYPE 1	WF2501-WRXXX01
TYPE 2	WF2501-WRXXX02

Ordering Information



Specification & Ordering Information:

Circuit	Part No.	Dimension		
		A	B	C
02	WF2501-WR02X0X	2.50	6.1	7.4
03	WF2501-WR03X0X	5.00	8.6	9.9
04	WF2501-WR04X0X	7.50	11.1	12.4
05	WF2501-WR05X0X	10.00	13.6	14.9
06	WF2501-WR06X0X	12.50	16.1	17.4
07	WF2501-WR07X0X	15.00	18.6	19.9
08	WF2501-WR08X0X	17.50	21.1	22.4
09	WF2501-WR09X0X	20.00	23.6	24.9
10	WF2501-WR10X0X	22.50	26.1	27.4
11	WF2501-WR11X0X	25.00	28.6	29.9
12	WF2501-WR12X0X	27.50	31.1	32.4
13	WF2501-WR13X0X	30.00	33.6	34.9
14	WF2501-WR14X0X	32.50	36.1	37.4

REV	DATE	MODIFICATION DESCRIPTION	CHANGE	OPERATION	CHECK	APPROVE	DATE	SCALE	FIT	PART NO.
A3	2023/08/23	Modify Part No.	△3	DuYing	OPERATION	DRAW	DATE	SCALE	FIT	SEE TAB
A2	2020/05/28	Modify Drawing	△2	DuYing	±0.40	JYHuang	2023/08/23	UNIT	mm	
A1	2013/10/24	Modify The PCB Hole Dim		JYHuang	±0.25			SIZE	A4	
AO	2012/09/05	NEW			±0.15			SHEET	1/1	
					Angle ± 3°			PROJ.		
					DIM TOL					TITLE: "J"TYPE 2.50 WAFER 90° DIP 02P~14Pin
										Customer NO.

WCON

Http: www.wcon.com

WCON-Dongguan WCON-Kunshan
 Tel: +86 769 85358920 Tel: +86 512 57468408
 Fax: +86 769 85358915 Fax: +86 512 57468468
 E-mail: sales@wcon.com E-mail: salesks@wcon.com